

RPO

Volume 27, Number 2
Summer 2019
www.gatewaymra.org



RPO

Summer 2019: Volume 27, Number 2

The *RPO* is the official publication
of the Gateway Division
of the National Model Railroad Association

Editor: John Carty

Articles, photos and any other materials for publication are to be sent to the Editor. No payment can be made for publication of any materials. Regular issues are published quarterly: Spring, Summer, Fall, and Winter. Subscriptions to the *RPO* are available to members of the NMRA as a service provided by members of the Gateway Division. Send subscription applications and renewals to the Division Treasurer.

Any item may be reproduced by other NMRA publications, unless specifically restricted, as long as author and source credit is included. Advertising of interest to our membership is accepted for publication in the *RPO*. Contact the Editor or Treasurer for current rates and artwork size information. Please send submissions, suggestions, letters, and address corrections to:

Editor, *The RPO*
Gateway Division NMRA
715 W. Cleveland Ave
Belleville, IL 62220

Articles may be submitted as handwritten, typed, plain unformatted text on disk, or plain text via email to johnpcarty@hotmail.com; photo submissions may be made as hi-res digital files, 35mm slides or negatives or as prints.

Submission deadlines:

Spring: April 1
Summer: July 1
Fall: October 1
Winter: January 1

All content is Copyright © 2014 Gateway Division NMRA unless otherwise noted.

Visit our website at
www.gatewaynmra.org

On The Cover

photo by Dave Roeder

Top: Lindenwood Yard on Dave Roeder's Webster Groves & Fenton Railway.

Bottom: Gate area of Dave's Layout.

The article detailing construction of this gate starts on Page 6.

In This Issue

Superintendent's Desk	2
Under the Wire	3
Director's Reflections	4
Access Gate for the WG & F.....	6
Micro Engineering Co. Tour Announcement	13
Railroad History Trip	14
Meeting Minutes.....	15
Timetable of Events	17

Superintendent's Desk

by Willie Richter

For the second time in my adult life, I find myself without a layout. The WA&B, West Alton and Bellville railroad, is history now. The Mighty Mississippi won the battle this time and Charles Marshall and I lost our layout. Even more so, Crystal and I lost our house. We are now in the planning stages of raising the house so that the main level will be up and out of the path of the river. The layout on the other hand is on hold for now. I can say that I have been thinking about how to rebuild and make it better as well as movable incase this happens again. Ultimately, we would like to locate it in an area that is above the flood as well. For now, these are just thoughts and eventually we will get the railroad back on track. I am also the Mayor of West Alton so along with my

house to deal with I have been meeting with 200+ homeowners and work with each of them on their journey to repair, raise or demolish their home. I want to thank Dan, Rich, Gregor, and Jimmy for their help in keeping things moving forward at the Gateway Division. I have not had the time to devote to the division that I wanted to since May. I hope to be more active in my role soon.

The Division has some great events coming up and I encourage each of you to participate in any way you can. Working the Division Booth at an event is a great way to meet people and talk to them about the hobby, answer some questions and share your knowledge about the hobby. If you have not done this before I encourage you to volunteer. The Gateway NMRA St. Louis Train Show is coming up on November 2, 2019. This is a great event for our division. If you have not attended before please consider doing so. We also need help with this event as well. Not only do we need help setting up, working, and cleaning up, we need help planning and organizing the event as well. Rich Velton is looking for someone to take over for him in the future coordinating and setting up the event. Please think about it and consider it. You would be an assistant this year so you can see how it works and he would be your assistant next year to help you be successful. We also need judges for the model contest. This is another opportunity to work with someone that can teach you the ropes and help teach you how judge the models. We need member participation help to make these events successful. The final event I want to talk about is the Gateway Division Holiday Party. If you can, please make plans to attend. Last year was the first time I was able to attend and I had a great time. I wish I would have made a better effort to

attend previously and I will try not to miss one in the future. The food is great and the presentation was wonderful but the best part was just talking with the other members and getting to know them better. Hope to see you there.

Willie Richter
Superintendent

Under the Wire

by John Carty, Editor

I would like to say that things have settled down at home; but they are manageable, which is an improvement. Obviously, this issue is again late, but is at least mailing out before the equinox. With a little luck, the next issue will be on time, which is the middle of October.

To satisfy the curious, life with a gaggle of children keeps you on your toes. The trick remains striking a balance between work responsibilities, kids, and leisure. At least we are not dealing with serious illness (knock on wood).

Carving out hobby time requires creativity. It can, however, provide opportunities to draw in the children. Our four-year-old loves trains of all kinds and wants to learn. This provides both opportunity and challenge, since her motor skills are still developing.

Her older brothers, who are in first and second grades, lack many motor skills which should be already developing. When the chances present themselves, therefore, I will give them a turn at assembling shake the box kits. The building of Athearn blue box and similar products allow for personal attention from the parent, provide a sense of accomplishment, practice at various manual skills, a chance to learn what appliances adorn various rail cars, as well as what the various cars carry.

Hopefully, they will avail themselves when time permits.

Sharing the hobby with family and friends remains one the greatest pleasures. The goal should always be to share, not indoctrinate or proselytize. Each child will develop his own level of interest, which will be greater when the pressure is less. Meeting them where they are and providing a glimpse of the enjoyment possibilities allows children and adults to find a niche in many facets of model railroading.

With respect to division business, you may notice that this issue features a single article. Thank you, Dave, for sharing your expertise. I am certain that every member has at some time hit a snag in his efforts and managed to develop his own solution or adapt the cure of another modeler. Please share such events with our membership.

Additionally, providing a photo tour or description of a typical day on your layout would open the eyes of your fellow members to the possibilities their own layouts may allow. Articles on building models as well as prototype information and photo essays of trips to railroading locations also allow people to find new avenues to explore.

I hope to see many of you at the Fall Meet. Please enter models you have built and photos you have taken in the contest. If you want an opportunity to learn how others built their entries, volunteer to judge. Judging provides you a close up look at the craftsmanship developed through practice and also how so many intricate constructions break down into much smaller and simpler components. When I started entering the contest, judging provided an opportunity really learn from every participant.

Thank you for allowing me to serve the Gateway Division as the editor of the RPO in what is now my 31st issue.

Until next issue,

John Carty, editor

Director's Reflections

By David Lowell

Fellowship

Human beings are pack animals and as such we crave fellowship. Wherever we may find it, it is an important nutrient for our souls. Most of our favorite stories are about fellowship; literature and movies are one record of true and imagined stories of fellowship based on the premise stated by C.S. Lewis of, "We had a little trouble along the way." English Zoologist Desmond John Morris studied the human condition examining our hardwired need for fellowship and the involuntary (animal) behaviors associated with it. Because it is rooted so deep in our psyche, we all seek it where we can. Some find fellowship through their religion, other through common causes, experiences, interests or myriad other venues. But really I think most of us get it through a combination of many avenues which is the Segway to fellowship and the National Model Railroad Association.

If you are reading this, most likely you are already in the fraternity of the NMRA, having already sought and hopefully found kindred spirits to fulfil your need for fellowship within the hobbyshere of all things railroading. I have used the term "hobbyshere of all things railroading" before, and will continue to do so in the future. To me it is an all-encompassing description of the multi-faceted hobby we share. But like so many things in our lives the vastness of our hobby is too much for one person to get their head around it all, so we choose pieces that appeal to us the most. To these pieces, areas, or subcategories we allocate our valuable leisure time to pursue our focused interest and try to sate our quest for

knowledge on the topic(s) we have chosen. With any luck at all that rabbit hole will be bottomless and if you're not careful you might learn something every day.

The hobbyshere of all things railroading gives a wonderful and unique dichotomy. The fellowship that we share in the NMRA gives us the opportunity to be both teachers and students at the same time. This aligns, interestingly enough, with the first sentence on the NMRA website under the Education heading which says, "Education is central to the NMRA's mission and an essential component of our continued classification as 501(c)(3) Charitable Organization under the Internal Revenue Code." Seems that maybe fellowship is part of the NMRA masterplan, we do have a lot of social events after all.

What better way is there to build fellowship than to share with and learn from friends on a subject you have in common whether in a formal or informal setting? Each month the Gateway Division's Assistant Superintendent schedules clinics for our meetings and the topics cover the full spectrum of our hobby. While I may not be intimately involved in a particular topic, let say Arduinos, I still find it fascinating to listen to a fellow modeler teach me about the endless possibilities of their use in the hobby. This spills onto all the other areas of interest within the hobby; model building and showing, operations, history, prototypes, writing articles, producing Division, Regional, or even National publications, sitting around for a libation at a regional or nation convention telling stories, having lunch together at the Fall meet and the list goes on and on.

All of the above are activities that bind us together as members of the NMRA and feed our need for fellowship and strengthen our friendships. Feed your need for fellowship and friendship and come participate.

I will remind you of my challenge to you from my last column; it is a path to fellowship.

What would happen if each one of you made only an incremental effort to participate just a little more? Come to a meeting at least once a year if you come to none. If you only come to the Missouri or Illinois side, come a little farther and expand your horizons. I know many of you are a wealth of knowledge on a particular topic, or many. Share it. I want to learn and I want to know what other modelers and rail fans are up to. Enter just one model in the fall meet. Take a shift at the PR table at a show and get in free! Or, come to one of many other activates. We average about 20 attendees at the meetings out of 216 +/- current members. We, as a group, can make this incremental increase happen. Look at what we are already doing!

I will always be available, as well as the great team of officers we have, to receive any comments or suggestions you may have. You can reach me at LowellCoMotive@gmail.com

Hope to see you at the Fall Meet on Saturday November 2nd, until then.

Happy Rails

David C. Lowell
Director,
Gateway Division, Mid Continent Region
Nation Model Railroad Association

Access Gate for the Webster Groves & Fenton

by Dave Roeder, MMR



Like many model railroaders, I have been around long enough to see quite a few layouts. There are also many different bench work designs and track arrangements. The current trend seems to be the walk in - around the walls design. This is best from the access standpoint since it allows unlimited entrance/exit. But there are also those who for various reasons do not want to lose the space required to turn trains around at each end of the entrance to a walk in design. Most walk-in layouts have a return loop at each side of the entrance. The use of a duck-under is not a good solution. They limit access and are a hazard to tall folks. A properly designed gate allows easy access without any drawbacks. The key to building a successful gate is in the design and construction. A good design takes into account not only access, but expansion/contraction, safety, and ease of maintenance. The gate on my HO scale Webster Groves and Fenton Railroad has all of these features. The design takes into account change due to temperature and humidity.

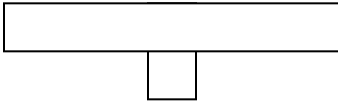
The features are as follows:

- A. standard interior door hinges with 6 screws per hinge.
- B. standard interior door latch mechanism with handicap access lever opening
- C. spring tension on door latch mechanism to remove play/clearance
- D. adjustable tee girder roadbed section with 1/4-20 UNC threaded studs & jam nuts
- E. adjustable track section with 1/4" movement to set gap at latch end of gate
- F. track on gate wired to block control
- G. mechanical interlock with switch machines activated by micro switch at latch side of gate
- H. sturdy hinge and latch post construction to eliminate shake and provide a strong opening

Parts List:

- A** Hinges are standard interior 4-inch length with 4 wood screws in each plate.
- B** Door latch is standard interior model with European style handicapped handles.
- C** Spring tension device is a bolt or roller type as used to remove play from screen doors or as used on sliding doors. This device pushes the door latch mechanism back against the flat side of the latch striker plate. These can be found at most hardware stores in the door hardware parts aisle.
- D** This section of track is made from $\frac{3}{4}$ " plywood. For HO scale, the track roadbed is a piece of wood cut to $3\frac{3}{4}$ " X 28" which is strengthened by a piece of $\frac{3}{4}$ " X $\frac{7}{8}$ " X 27" long piece of white pine set on edge. See Fig. 1.

Fig. 1



The tee section is supported on four pieces of $\frac{1}{4}$ -20 UNC threaded rod. These are set into the top rail of the gate using $\frac{1}{4}$ -20 nut inserts of the type used for leveling legs on furniture. Flat washers and hex nuts are used to attach the roadbed section to the top rail. These four assemblies provide vertical adjustment for the tee section of roadbed. See Fig. 2

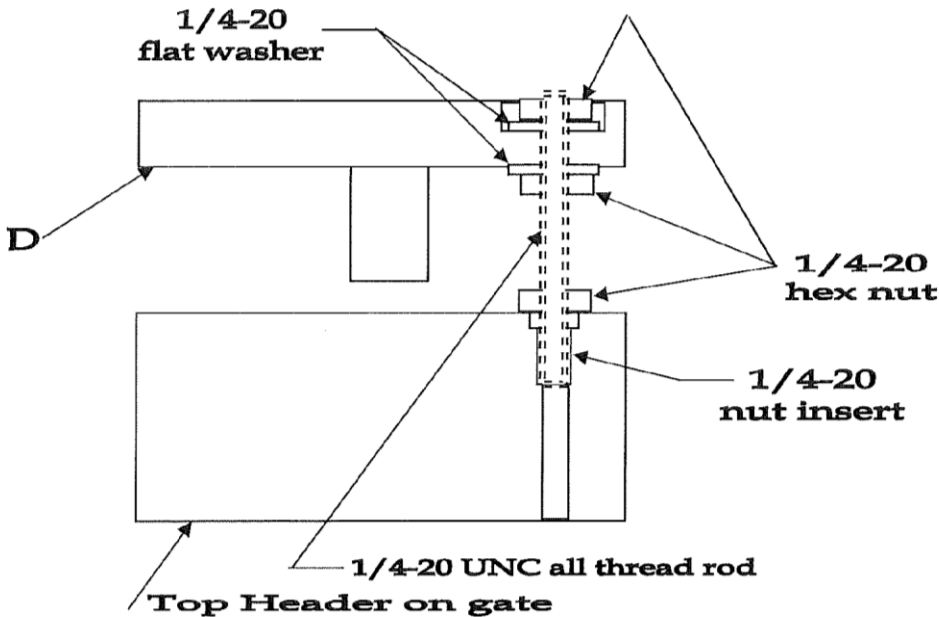


Figure 2 Not to scale

E The adjustable track section provides adjustment of the gap between the latch end of the gate and the fixed track on the layout. This track section is made from an Atlas re-railer / grade crossing which has been modified to allow 1/4" lateral adjustment of the gap at the latch end of the gate.

The Atlas re-railer is permanently attached to the layout on the fixed section of the layout using small wood screws. The section of the re-railer attached to the gate is also attached with four wood screws, but the holes in the re-railer for these four screws are slotted to allow + or - [.125"] 1/8" lateral adjustment.

On the gate end of the re-railer, a 6" section of Atlas code 100 or code 83 flextrack is added. The ends of the rails are notched vertically 1/2" using a flat file. There must be one left hand and one right hand slip rail end on each rail to form the expansion joint. One end of the track has slip rail joints on the re-railer section. These mate with corresponding slip rail joints on the fixed track attached to the gate roadbed. See figure 3.

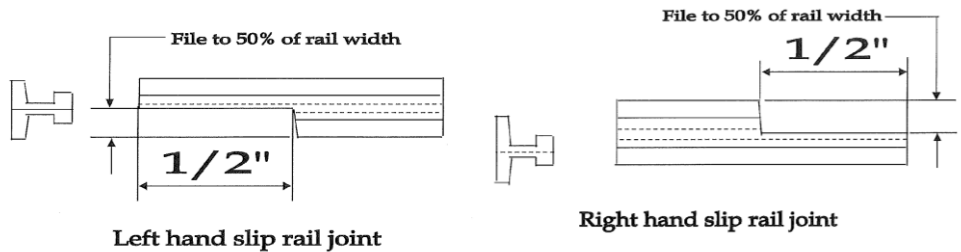
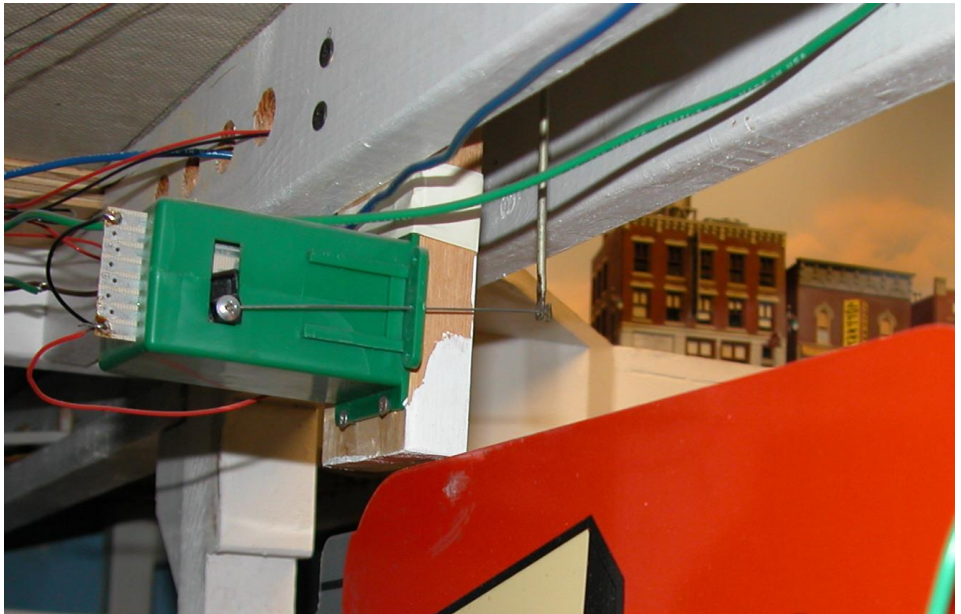


Figure 3



F The track on the gate must be wired as a separate block. Wires dropped down from the fixed and the adjustable track sections will insure good performance and reliability. These wires must be routed through the hinge post with enough slack to permit the gate to be fully opened. Make sure the holes through the roadbed for the adjustable track section are elongated 1/2" to allow adjustment.

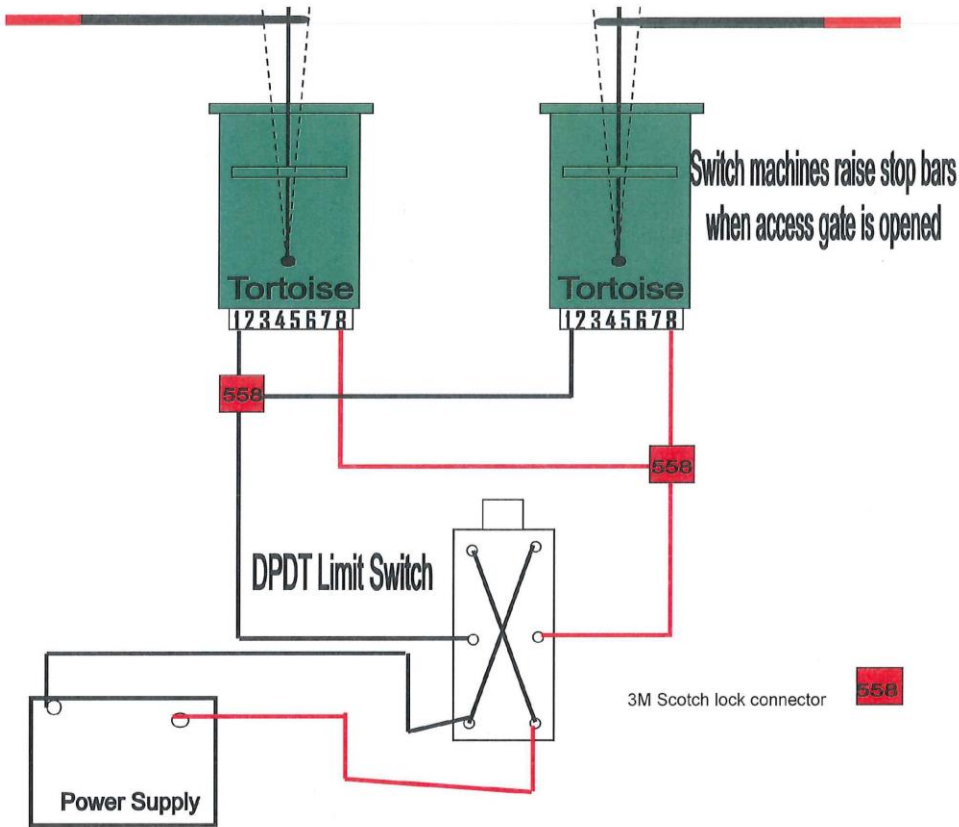
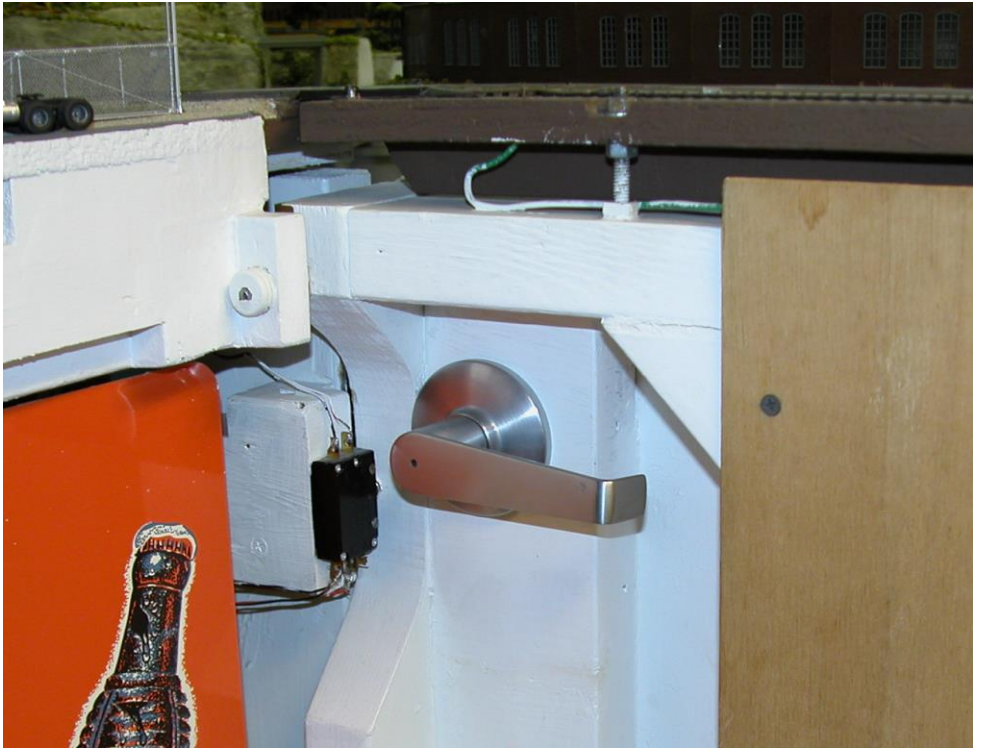


Figure 4



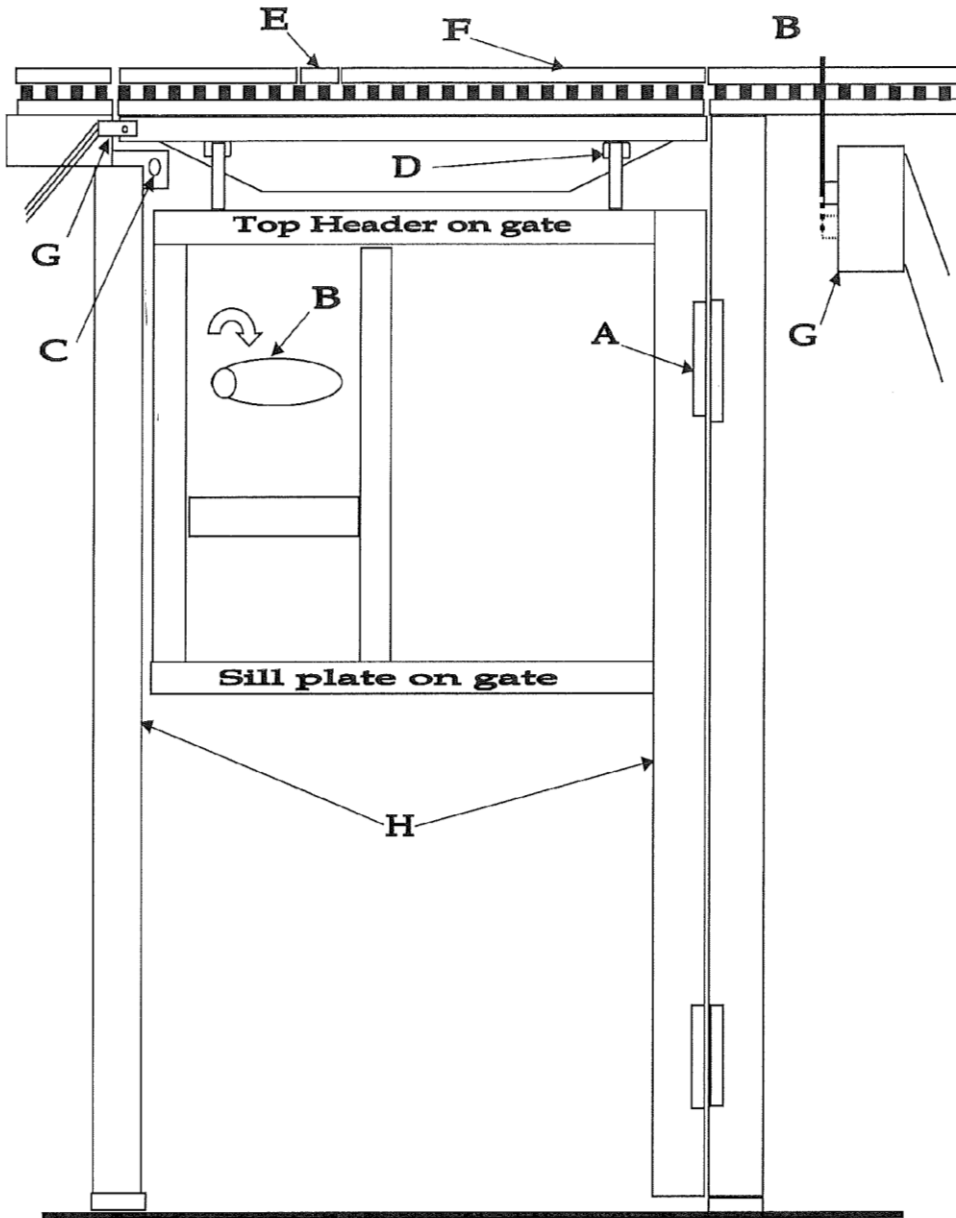


Figure 5

G Mechanical interlocks at each end of the fixed track work on the layout prevent accidental crashes off the end of the gate opening. These are made from tortoise switch machines mounted horizontally. Power to operate these is provided through a DPDT limit switch mounted so as to be triggered by the closing or opening of the gate. The stop rods are made from coat hanger wire .062" diameter. One end is hammered flat for a distance of ¼", then a .031" dia. Hole is drilled in the flat to clear the tortoise activating wire. I use .020" diameter music wire in the tortoise switch machines. A hole is also drilled through the roadbed in the center of two ties to clear the rod. Wire the switch machines to raise the rods when gate is open. See figure 4.

H General construction: The gate is made from 2 x 4 lumber for the frame. The hinge post and latch post are 4 x 4 lumber. It is important to securely attach both posts to the floor. Concrete anchors or equivalent are required. Another solution is to place a 2 x 6 flat on the floor and attach it with liquid nails.

The gate does not need to go all the way down to the floor. The bottom sill plate on the gate can be centered between the two hinges. This gives plenty of strength and still allows you to crawl under in the event that you need to get out with the gate closed. See figure 5 for general location of components and key to the instructions.



One final note: This gate has been in use since 1995. I have adjusted the gap at the latch end about once a year. The leveling studs need attention about once a year as well. I added a de-humidifier to my basement after talking to a friend of mine and found it to be a good investment. The drier air eliminates seasonal humidity changes on the layout.

Micro Engineering Co. Tour Announcement

by Ron Gawedzinski

SPECIAL ANNOUNCEMENT

Arrangements have been made to have a Joint Group Gateway Division NMRA and St. Louis Chapter NRHS **tour of Micro Engineering Co.**, 1120 Eagle Road, Fenton, Missouri, on **Tuesday, September 24, 2019, 10:00 AM – 11:00 AM.**

Micro Engineering Co. (MEC) was started in 1964 under original name “Rail Craft Products.” MEC manufactures an assortment of model railroad products, from track to bridges, etc.

Attendance is limited to just 30 people! Mark your calendar and set the time aside. Also, **PLEASE NOTE; the tour is on a weekday, Tuesday, in the morning.** MEC does not work on the weekend.

Safety Requirements: Tour of a Manufacturing Shop under Actual Working Conditions! Safety is paramount!

- Not required – safety shoes, hard hats, and earplugs.
- Regular eyeglasses **with safety lens** are acceptable.
- Neither tank tops nor flip-flops are allowed.
- **ADA accessibility** – narrow aisles can accompany folks with canes; wheelchair could be difficult.

Picture taking and videotaping are allowed.

More information will be coming later as to directions, parking, etc.

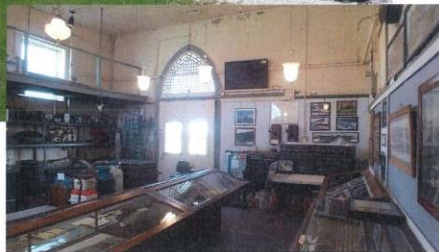
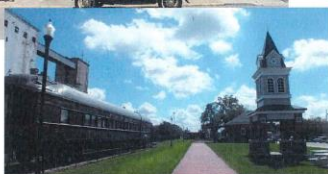
Sign up sheets will be available at upcoming meetings or you may contact Ron Gawedzinski, rwgawed@yahoo.com, and telephone 314-846-5559.

Railroad History Trip



St. Louis Chapter NRHS Railroad History Trip to Moberly, MO October 5, 2019

- Visit Moberly Railroad Museum
- Visit Moberly History Museum
- Ride Moberly Mini Train
- Lunch included (sandwich, chips, brownie & water)



MAIL RESERVATION FORM & CHECK TO:
St. Louis Chapter NRHS / Moberly Bus Trip
PO Box 220168
Kirkwood, MO 63122

**COST = \$50.00/PERSON — INCLUDES LUNCH,
TRAIN RIDE, AND BUS TRANSPORTATION.**
Tickets are non-refundable unless trip is cancelled.
Questions: trip.director@stlouisnrhs.org

Name _____ # In Group _____

Names additional riders _____

Email _____ Cell Phone _____

*Please notify us immediately of any special dietary needs, or other special requirements

* Due to historic nature of rail equipment, not all areas are handicapped accessible. There will be some walking involved to get from place to place in downtown Moberly (approx. 2 city blocks). There is uneven terrain at the mini train.

Division Minutes

by Gregor Moe

Meeting Minutes for April 15, 2019

No meeting.

Meeting Minutes for May 20, 2019

Superintendent: Willie Richter
Assistant Superintendent: Dan Knipp
Paymaster: Richard Velten
Clerk: Gregor Moe
MCoR Director: David Lowell
Activity Coordinator: Ron Gawedzinski
Publicity Chairman: Don Ayres
Membership Chairman: Bill Linson
AP Chairman: John Carty
Contest Chairman: Chris Oestreich

Clinic:

Dave Roeder, MMR presented his clinic covering research, planning and design of the HO scale Kirkwood Cutoff layout. The subject is an 11.4 mile section of the Missouri Pacific railroad running from Kirkwood, Missouri to the Mississippi river at the foot of Iron St. in south St. Louis, Missouri. The presentation includes details about selective compression, grades, operational considerations for model railroads and space requirements. .

Business Meeting:

Superintendent Willie Richter called the meeting to order. There were 27 members present and 2 guests Been Jordan and Mitch Jorsted.

Minutes of Previous Month's Meeting

Minutes from the March meeting were available for review prior to the meeting start. The minutes were approved.

Treasurer's Report

Rich Velten presented the paymaster's reports. The March opening balance was \$17,924.94 during the month we had receipts of \$4,764.89 and expenses of \$2,100.21. The closing balance was \$20,589.62. The April opening balance was 20,589.62 during the

month we had receipts of 1,809.39 and expenses of 717.60. The closing balance was 21,681.41. The report was approved.

Merchandise Report

Rich Velten stated that there are wheel sets and standard gauges available.

RPO Report

No report.

Directors Report

Willie Richter gave the directors report for David Lowell. The north and south regions are merging. The region meet will be June 20-23.

Achievement Program (AP) Report

No report.

Publicity Chair Report

Jim Ables said the next train show will be the great train show in July he will send out an email request for people to man the show.

Outside Activities Report

Ron reported he has secured a tour of Amsted Rail Co. for Wednesday May 29 from 10:30 to 12:00.

Old Business

The 2020 convention the registration fee is \$150. The group is looking for volunteers to help work the show and are looking for layouts for tours.

Arch Rail was a success there were 48 visitors from out of town operating on 14 different layouts.

Nothing to report on new shirts.

New Business

A Dan Knipp is looking for two more clinics to fill out the year.

The need to get the NMRA materials from Tim's wife Brenda.

Announcements

No announcements.

Upcoming clinic

The April clinic will be four short clinics on various topics.

Drawings

50/50 winner: Walter Beckman
Gift Card winner: Dave Roeder
Meeting adjourned.

Respectfully Submitted,

Gregor Moe,
Clerk, Gateway Division

Meeting Minutes for June 17, 2019

Superintendent: Willie Richter
Assistant Superintendent: Dan Knipp
Paymaster: Richard Velten
Clerk: Gregor Moe
MCoR Director: David Lowell
Activity Coordinator: Ron Gawedzinski
Publicity Chairman: Don Ayres
Membership Chairman: Bill Linson
AP Chairman: John Carty
Contest Chairman: Chris Oestreich
Clinic:

The four short clinics for our June meeting were Gregor Moe- "Hand brakes –Holding Cars in Place", Rich Velten-"Using LEDS to Light Structures", Herbert Koenig-"Weathering Structures Using White Correction Tape:", Dan Knipp-"Adding Spice to Operations.

Business Meeting:

Superintendent Willie Richter called the meeting to order. There were 27members present.

Minutes of Previous Month's Meeting

Minutes from the May meeting were available for review prior to the meeting start. The minutes were approved.

Treasurer's Report

Rich Velten presented the paymaster's report. The opening balance was \$21,661.41 during the month we had receipts of \$872.42 and expenses of \$819.92. The closing balance was \$21,733.91. The main income was from the Marx Collection. The main expense was for the holiday party. The report was approved.

Merchandise Report

Rich Velten stated that there are wheel sets available.

RPO Report

No report. Submissions to the summer RPO are due 1 July.

Directors Report

No report.

Achievement Program (AP) Report

No report

Publicity Chair Report

Jim Ables said the next train show will be the Bellville show. Volunteers needed for the show.

Outside Activities Report

The trip to Amsted Rail Co was a success according to people that went.

Old Business

The 2020 convention the registration fee is \$150.

The annual train show is 1 Nov; need people to work the show.

New Business

Greg Gramlich will take over from Chris Oestreich as the operations coordinator.

Need one clinician for Oct. Tom Ose volunteered.

Announcements

No announcements.

Upcoming clinic

The July clinic will be David Ackmann building Bill Boards. August clinic will be History of the Webster Grove train Club. September clinic will be Radio in Railroadng.

Drawings

50/50 winner: Michelle Jobe
Gift Card winner: Chris Oestreich
Meeting adjourned.

Respectfully Submitted,

Gregor Moe,
Clerk, Gateway Division

Timetable of Events

Do you know of an event of interest to other Gateway Division members? Send the information to the editor so it can be listed in future *RPOs* and on the www.gatewaynmra.org website.

NMRA Divisions or St. Louis area clubs may have their event listed here by sending a description of the event, in the format shown here, to the Editor (rpo@gatewaynmra.org).

Mon., September 16, 2019

Gateway Division Meeting, Trinity Lutheran Church, 14088 Clayton Rd, at Woods Mill Road (Hwy 141), Ballwin, MO (West St Louis County), 7 p.m.

Tue., September 24, 2019

Joint Gateway Division and St. Louis Chapter NRHS of Micro Engineering Co., 1120 Eagle Rd., Fenton, MO, 10-11 a.m., for reservations and information contact Ron Gawedzinski at telephone 314-846-5559 or rwgawed@yahoo.com. More information on page 13

Sat., October 5, 2019

The St. Louis Chapter NRHS will be doing a one-day trip to Moberly, Missouri to visit the Moberly Railroad Museum, History Museum and ride the Moberly mini train. Lunch is included (sandwich, chips, brownie & water). Cost \$50. More details on page 14.

Sun., October 6, 2019

Midwest Money Layout Open House, Sponsored by Midwest Money Company, 11 am - 4 pm, 5901 Hampton, St. Louis MO cross street Holly Hills, 3 rail scale O layout, steam and diesel operations, Free admission

Sat., October 12, 2019

St. Louis Live Steamers free train rides. Kircher Park, Eureka, MO, located just south of I-44 on Williams Road on the east side of Eureka. If going west on I-44 from St. Louis, exit at State Route 109, turn left, go under I-44, then immediately go back onto I-44 eastbound for about a half mile. Then again take the exit ramp and the railroad is across Flat Creek in the park. [St. Louis Live Steamers on Facebook](#)

Mon., October 21, 2019

Gateway Division Meeting, VFW Hall, O'Fallon, IL, 7 p.m.

Sat. & Sun., October 26 & 27, 2019

29th Annual Grater St Louis Metro Area Train Show, sponsored by the Mississippi Valley N Scalpers LLC Kirkwood Community Center, 111 S. Geyer Road, Kirkwood, MO, Saturday 10am – 4pm, Sunday 10am – 3pm Admission \$7 All kids and students with ID age 25 and under FREE

Sat., October 26, 2019

Dreamland Palace Model Railroad Show, 10 am - 3:30 pm, 3043 State Route 156, Foster Pond, Illinois, 4 miles west of Waterloo American Legion Hall 200 South 5th Street, Dupo IL 62239. 9:30 am - 2:00 pm, Admission \$3, Children 12 and under FREE. For more information call

Mike Lang at 618-939-9922.

Sat., November 2, 2019

Gateway Division Fall Meet, Trinity Lutheran Church, 14088 Clayton Rd at Woods Mill Rd, Ballwin, MO, 9am - 3pm, Clinics, modular layout, model and photo contests, swap tables, door prizes, Popular vote, NMRA judging on request. For more information check out the Gateway Division NMRA website, Swap Tables (30" x 8 ft.) may be reserved for \$20. Setup Friday 4 to 7 pm and Saturday from 7 am.

For more information contact Rich Velten Phone 636-391-0643 email rmvelten@swbell.net

This show is sponsored by the Gateway Division and we'll be looking for your help in supporting the event.

Sun., November 3, 2019

Midwest Money Layout Open House, Sponsored by Midwest Money Company, 11 am - 4 pm, 5901 Hampton, St. Louis MO cross street Holly Hills, 3 rail scale O layout, steam and diesel operations, Free admission

Sat., November 9, 2019

Dupo Train Show, American Legion Hall 200 South 5th Street, Dupo IL 62239. 9:30 am - 2:00 pm, Admission \$3, Children 12 and under FREE

Mon., November 18, 2019

Gateway Division Holiday Party.

Sat. & Sun., November 30, & December 1, 2019

Great Train Show, Gateway Center, 1 Gateway Dr., Collinsville, IL, 10 am - 4 pm, **FREE PARKING**, Advanced Discount Tickets available online, Onsite Adult Admission is \$11.00 on Saturday - Good for BOTH DAYS! \$10.00 on Sunday

Kids 11 and under are admitted free and do NOT need a ticket. On site admission is CASH only.

Sun., December 1, 8, 15, 22, & 29 2019

Midwest Money Layout Open House, Sponsored by Midwest Money Company, 11 am - 4 pm, 5901 Hampton, St. Louis MO cross street Holly Hills, 3 rail scale O layout, steam and diesel operations, Free admission

Mon., December 16, 2019

Gateway Division Meeting, VFW Hall, O'Fallon, IL, 7 p.m.

Mon., January 20, 2020

Gateway Division Meeting, Trinity Lutheran Church, 14088 Clayton Rd, at Woods Mill Road (Hwy 141), Ballwin, MO (West St Louis County), 7 p.m.

NMRA MCoR Region & Gateway Division

The National Model Railroad Association (NMRA) is a world-wide organization dedicated to all aspects of model railroading. In order to bring the most benefit to its members, the association is subdivided into Regions, and each Region has a number of local Divisions. National dues are \$72 per year, and all members of the NMRA are automatically members of the Region and Division in which they live. The Gateway Division is part of the Mid-Continent Region, which represents Missouri, Kansas, Arkansas, Oklahoma, Nebraska, and parts of Iowa and Illinois.

The Mid-Continent Region publishes a quarterly bulletin, *The Caboose Kibitzer*, and holds an annual

convention meeting that usually includes modeling clinics, local tours of layouts or prototype facilities, and model contests. Annual subscription to the Mid-Continent Region *Caboose Kibitzer* is included with membership at the National level and runs concurrently.

The Gateway Division is well represented on the regional and national levels of the NMRA. Its members actively promote the modeling hobby through local monthly meetings, this quarterly newsletter, an annual train meet in the fall, participation in area train shows and other events, and a comprehensive website. Annual subscription to the Gateway Division *RPO* is \$10, running from July 1 through June 30. Members who subscribe mid-year are given extended memberships. The division's official mailing address is on the "Contact Us" page on the website: <http://www.gatewaynmra.org/gateway-nmra-contact-us/>. Checks may be sent to Gateway Division NMRA, PO Box 7742, Chesterfield, Missouri 63006-7742. Membership is open to anyone from the beginner to the most advanced modeler, of all ages, so that everyone can share questions and knowledge of the hobby. Visitors are welcome at the monthly Division meetings listed on our website, www.gatewaynmra.org

Clerk (Secretary)

Gregor Moe (Bonnie)

Paymaster (Treasurer)

Richard (Rich) M. Velten (Marilyn)

Division Director

David Lowell



Division Officers

Superintendent

Willie Richter

Assistant Superintendent

Dan Knipp