

RPO

Volume 22, Number 4
Winter 2015
www.gatewaymra.org



RPO

Winter 2015: Volume 22, Number 4

The *RPO* is the official publication
of the Gateway Division
of the National Model Railroad Association

Editor: John Carty

Articles, photos and any other materials for publication are to be sent to the Editor. No payment can be made for publication of any materials. Regular issues are published quarterly: Spring, Summer, Fall, and Winter. Subscriptions to the *RPO* are available to members of the NMRA as a service provided by members of the Gateway Division. Send subscription applications and renewals to the Division Treasurer.

Any item may be reproduced by other NMRA publications, unless specifically restricted, as long as author and source credit is included. Advertising of interest to our membership is accepted for publication in the *RPO*. Contact the Editor or Treasurer for current rates and artwork size information. Please send submissions, suggestions, letters, and address corrections to:

Editor, *The RPO*
Gateway Division NMRA
715 W. Cleveland Ave
Belleville, IL 62220

Articles may be submitted as handwritten, typed, plain unformatted text on disk, or plain text via email to johnpcarty@hotmail.com; photo submissions may be made as hi-res digital files, 35mm slides or negatives or as prints.

Submission deadlines:

Spring: April 1
Summer: July 1
Fall: October 1
Winter: January 1

All content is Copyright © 2014 Gateway Division NMRA unless otherwise noted.

Visit our website at
www.gatewaynmra.org

On The Cover

photo by Richard Schumacher

Gregor Moe built the Monmouth Grain Elevator, taking third place by both popular vote and judging. Please see page 5 for the rest of the results of this year's Fall Meet Contest.

In This Issue

| | |
|--|----|
| Superintendent's Desk | 2 |
| Under the Wire | 4 |
| 7 th Annual Joint Picnic..... | 4 |
| 2014 Fall Meet Contest Results | 5 |
| Build a Pair of Railroad Buildings. 10 | |
| 2014 Gateway Division Kit Bashing Contest Results..... | 12 |
| WG&FR Access Gate | 16 |
| Holiday Party & Open House | 18 |
| Division Meeting Minutes | 20 |
| Timetable of Events | 22 |
| In Memorium | 23 |

Superintendent's Desk

by Tim Stout, Superintendent

Happy New Year. As 2015 begins I want to thank Phil Bonzon for his many years of service as assistant superintendent. Phil did an excellent job of getting clinicians lined up for our monthly meetings so there was always something to learn about the hobby at each meeting. Having been assistant superintendent I know how hard it can be to find clinicians available on the dates you need them. Thanks again Phil for all the hard work.

I would also like to introduce our new assistant superintendent: Ron Kraus. Congratulations. If you have any suggestions of clinic topics, or if you would like to give a clinic, let Ron know. One of the hardest things is deciding

what topics the membership is interested in learning about. Please call or e-mail Ron with your suggestions – input from the membership will help insure the clinic topics are interesting and informative.

Coming this year should be a letter to allow you to “opt-in” to a new Gateway Division phone directory so you will be able to contact your fellow members for tips, tricks, or to invite them over for an operations session. I found the old directory quite useful and look forward to having an updated version. During our planning meeting the officers discussed and agreed this mailing would be a good opportunity to enclose a brief survey to solicit feedback from the entire membership. Please take a few minutes to fill out the survey and return it – even if you choose not to “opt-in” to the new directory. Your feedback will be helpful in determining what types of activities to offer and when to offer them.

We discussed doing the ops sessions again since they were a big hit the last time we did them. How many we do and how often will be dependent upon the number of layout owners willing to host as well as volunteers to help match up the operators with the layouts. Will keep you posted when we have an approximate time and layouts to operate.

Another activity discussed was the Joint Picnic and if we should have another one at the WF&P this year. It was decided that if we have another Joint Picnic to aim for an earlier date (late August or September) – rather than a later date. It was brisk during the picnic this year - which was held in October. Attendance at this year’s picnic was lower among Gateway Division members than in the past when it was at the WF&P. Not sure if this is a result of the location, weather, or late date.

Please let us know so we can plan accordingly this year.

The officers also discussed the number of train shows and staffing of our table at the shows. We are going to have our table at several Great Train Expo shows and a couple of smaller popular shows. We tend to have the same volunteers at most of the shows and we feel these few large shows allow us the most exposure to the public to spread the message of the NMRA and reach potential new members.

Also on the agenda was the Model Contest. We have done this now for several years – and last year’s number of entries for judging – (3) was disappointing. We cannot justify supplying kits to the members at discounted prices if they aren’t being returned for judging. This is one of our larger expenses during the year. The models returned have all been excellent – just not as many as we would like to see.

Lastly fundraising was discussed – should we do a project layout and raffle it at a show or the Fall Meet to raise money to support the division activities? The Division isn’t broke – but we haven’t had any significant income other than the Fall Meet during the last several years and the reserve is lower than it was several years ago. Based on a preliminary budget Rich worked up we are almost break even, but not quite. Let the officers know what you think would be some good fundraising activities.

Speaking of the Fall Meet - this year it will again be in Missouri, most likely at Trinity Lutheran Church, and a one day show vs. two. Admission is going to be \$7.00 per adult and kids will still be free.

Thanks to all of you who volunteered during 2014 and please help out again

in 2015. The officers appreciate all of the help.
Thanks, Tim.

Under the Wire

by John Carty, Editor

Happy New Year!!! I hope everyone enjoyed the holidays and received coal in your stocking (or whatever other model railroad item tickled your fancy).

Three years and twelve issues ago I started this column as the new editor of the RPO. I chose to name this column "Under the Wire" to reflect my interest in modeling traction as well as the fact that this newsletter does indeed have deadlines.

Although some struggles have beset my efforts, the experience of serving the division as editor has proven rewarding. With all the ups and downs associated with the publishing of this newsletter, I find the best part has been meeting and associating with the members of the Gateway Division. I will not attempt to count the number of friends I would not have met, were it not for serving in this capacity.

To the clerks, paymasters, superintendents, and other officers, please accept my gratitude for your support and assistance. To the members of the Gateway Division, especially those who have submitted material, thank you for sharing your experiences with your fellow members.

A while back I challenged the membership to each submit at least one item a year for publication. The resulting issues provided a set of vignettes of the members and activities within the Gateway Division. Please consider this challenge renewed for this year.

Once again, thank you very much for your support and allowing me to serve you as editor of the RPO. John

7th Annual Joint Picnic

By Ron Gawedzinski

On Saturday, October 18, 2014, the St. Louis Chapter NRHS and the Gateway Div. NMRA held the 7th Annual Picnic of two fine train groups at the Museum of Transportation, Kirkwood, Missouri.

The sun was out but the temperature was 65 degrees. But folks had fun exploring all the attractions, riding the miniature train and the streetcars. The food, drinks and snow cones were plentiful. Some new train friends were made.

This year 82 members, families and guests from both groups attended the picnic.

There were 24 volunteer workers who were great in performing the many jobs at hand. Debbie & Jim Ables, Bud Anderson, Steve Binning, Mary & Bill Birdsell, Fred Blank, Nancy Carrol, Ron Gawedzinski, Cathryn Graham, Bill Heger, Ron Kraus, Gaylene and Dr. Richard LaBore, Joe Obernuefemann, Mark Schuermann, Debbie & Allen Schwartz, Steve Siegerist, Brenda & Tim Stout, Rich Velten, Gail and Kelvin Wilke. (If I have accidentally left off your name please let me know so that I can correct my error. Ron) I especially want to thank the above named volunteers, for without them this event could not have been held.

Special thanks go to Bud Anderson for donating his time and providing free snow cones to the people at the picnic. While the weather was cool many fine compliments were made about the refreshing and tasty snow cones that were provided.

A number of members of the Gateway Div. and the St. Louis Chapter donated an extra-large amount of items for attendance prizes this year. Many

thanks for your donations. Everyone got a chance to win something.

The Officers' of the Gateway Division NMRA and the St. Louis Chapter NRHS thank the members, families and guests

for their attendance, their help and their donations that made this picnic a great success.

Thanks for coming!
Ron

2014 Fall Meet Contest Results

Photos by Richard Schumacher



1st Place Steam Locomotive Popular Vote UP3981 by Don Ayres



1st Place Diesel Locomotive Popular Vote
C&NW 8034
by Brian Post

2nd Place Diesel Locomotive Popular Vote and 1st Place Judged (94 points)

Wabash 410



by John Carty
1st Place Traction Popular Vote and Judged (99 points)
East St. Louis & Suburban 61
By John Carty

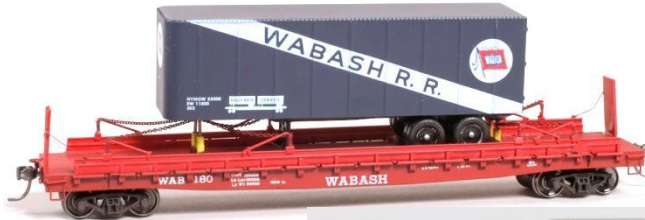


1st Place Freight Car Popular Vote and Judged (91 points)

ACX17

By John Carty





2nd Place Freight Car
Popular Vote
WAB 180
By John Carty

1st Place Caboose
Popular Vote
StL&BE 133
By John Carty



1st Place Maintenance of
Way Popular Vote
TCC 218
By Jack Stroker

2nd Place Maintenance of
Way Popular Vote
Coke Crk 146
By Jack Stroker



1st Place On Line Structure Popular Vote
Sawmill by Tom Trotter



2nd Place Popular Vote and 1st Place Judged
On-Line Structure (100 points)

Best of Show

Winstanley Shops by John Carty

3rd Place Judged (tie with Monmouth Grain
Elevator on cover) On-Line Structure (92
points)

Milwaukee Road Watchman's Tower
By Gregor Moe



1st Place Off-Line Structure
Popular Vote
Wahsatch School
By Brad Joseph



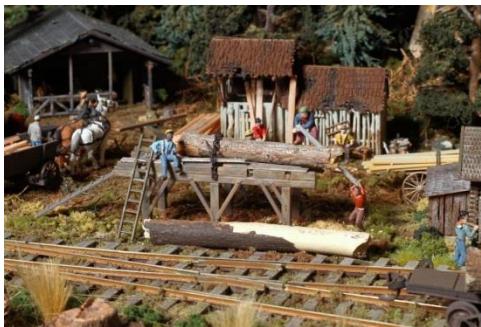


2nd Place Off-Line Structure Popular Vote
Telephonic Exchange
By John Carty

3rd Place Off-Line Structure Popular Vote
Bridgit's Book Seller
By John Carty



1st Place Diorama Popular Vote
Pacific Coast Logging
By Tom Trotter





2nd Place Diorama Popular
Vote
Farm
By Tim Stout



1st Place Model
Photo Popular Vote
Gardenland Express
By Richard
Schumacher

1st Place Prototype
Photo Popular Vote
UP 3985
By Richard
Schumacher





2nd Place Prototype Photo
 Popular Vote
 Centerbeam Flat at the Crossing
 By John Carty

3rd Place Prototype Photo Popular
 Vote
 Laying Ties
 By John Carty



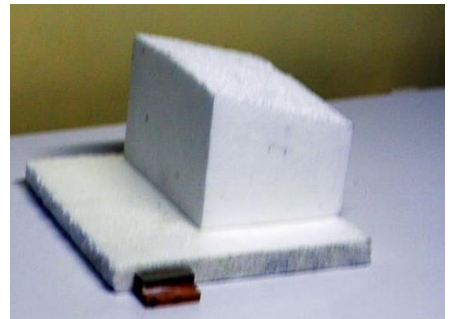
Building a Pair of RR Buildings

Styrofoam Scenery Part 3

by Jack Stroker

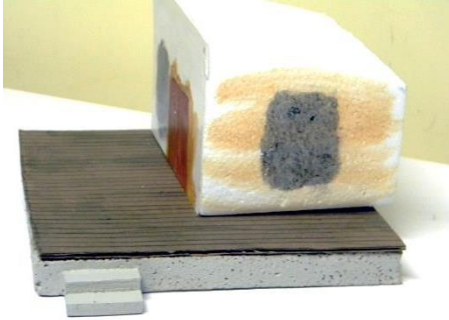


for a couple rail siding structures at the end of two spur tracks. Again, it would be packaging Styrofoam to the rescue. Both buildings began as a block of packaging Styrofoam.



A railroad that our round-robin RR group has been working with is a large 3-rail "O" gauge layout. It had a need

A ¾" thick packaging Styrofoam was chosen for the base of the building with the loading platform. It was painted several coats of a light gray latex exterior house paint to represent a concrete foundation. It was covered on top with a sheet of thin corrugated cardboard that was painted and scribed with a marker pen to look like wooden planking. The door steps on the other building were made using Popsicle sticks.



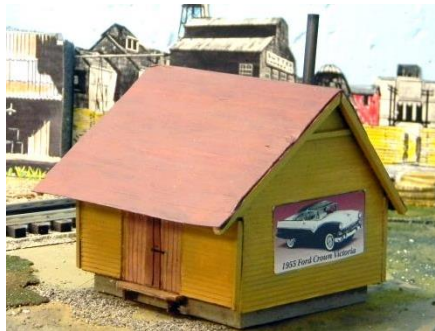
A packaging Styrofoam block was used as the core of each building and then scribed wood siding was glued to each side of the Styrofoam blocks. The loading doors on both buildings were constructed with card board glued under the wood siding and framed with scale lumber. The windows on the building with the loading platform were cut into the siding and glued in place. These were windows from an On₃ structure kit. The Styrofoam block behind the window openings were painted with a mixture of silver and black paint.

The advertising signs were cut from colored prints glued to thin poster board. The Ford sign was cut from a model card advertising flyer, and the Christmas Coke sign was an "O" scale sign from an old "Model Railroader" article.

The building with the loading platform has a sloped roof and the other building



has an off-set peaked roof. Both roofs were made of cardboard and covered with overlapped masking tape to represent rolled roofing. The smoke stacks were made with soda straws painted with a flat black.



This was our way to add structures that would occupy two spur tracks on the edge the layout. Again we were able to make use a material that would have ended up as trash or recycled.

2014 Annual Kit Bashing Contest Results

Photos by Richard Schumacher write ups by contestants

3rd Place Jon Marx

The model is loosely based on the Jim Boyd photo of the Western Maryland depot at Glady, WV (attached for reference) in the Kalmbach publication *How to Kitbash Structures*. I leafed through the book and when I saw that photo I could see the parts from the provided kit find a place in the structure. I flipped the footprint and did not add the bay window or porch along the one-story



section.

To get the windows to look like the photo it was necessary to cut some new openings and add some Grandt Line windows not in the kit. I also cut small windows in gables on each end of the second story. To get the second story, I removed the gables from two end pieces, trimmed the bottom edge from two other pieces and spliced them together. All seams were reinforced with 0.100" square

Evergreen strip styrene. the corners also were reinforced with the same.

At least I finished the kit this time, but not enough left to add better scenery. There's always next year.

2nd Place John Carty

I based this model on a photograph on the internet of the Radium Mine located on the south side of Belleville. I constructed the supply shed first by



cutting two side walls and splicing them together. I added a front wall and cut the back wall to serve as the remaining sides, cutting the peak off the piece added to the back.

This structure nestles against the backdrop, so the remaining portion of the back wall along with part of the left wall was blanked with sheet styrene after adding a roof using Evergreen metal roofing. I cut the sliding door from styrene siding and added the track using strip styrene. I added a dock using two front porches and raised the entire structure on posts cut from styrene tubing. The steps are by Central Valley while the stack is from the Grandt Line feed store.



Since I already had a mine with an enclosed head hoist, I opted to scratch build this hoist using Evergreen strip and sheet styrene. The pulley wheels were scavenged from a Walther's coal conveyor kit. I built the boiler house using a Grandt Line Feed Store by substituting a blank wall cut from Evergreen metal siding for the façade. The lean to from one of the small houses attached to the boiler house serves as the hoist shed. I added a stack from the Gruesome Casket kit.

The mine office is a basic small house constructed per the instructions to which I added the scale from the feed store. I added a Walther's water tower, Design Preservation fuel tank, parts of an Atlas substation, and a pair of outhouses. I used Woodland



Scenics ballasts for gravel and ballast. Unpainted Preiser figures, a pair of custom lettered Accurail hoppers, and a truck from Mini Metals complete the scene along with various details from the parts box.

I sprayed everything a base coat of gray and then added various shades of gray and black. I added a sign printed from Word on paper.

The name of the mine is a reference to Snow White

and the Seven Dwarves. Weathering consists of Bragdon powders along with acrylic paints. I tried to make the scene as drab as possible with only the people, truck, and weathering providing color.

1st Place Jeremy Janzen



This model is a typical Kansas two-story farm house to go on the layout that I am building with my dad. I decided to use one front wall, one back wall and 2 side walls from two of the lean-to kits for each end of the house. I cut off the triangle top of the front and back walls and glued the lean to



walls in between the front wall and the triangle top piece. I repeated this with the back wall. The sides were cut from Evergreen styrene 2080 V groove. The windows are from a Tichy Door and Window assortment which matched the

style of the Grant Line windows. After marking the locations of the windows, I cut them out using an Exacto knife and a straight edge, filing the openings until the windows fit. I then glued the wall sections together without the windows. An addition was added to the side with the remaining lean-to wall and I added a smaller addition to the back of the house with some parts from the outhouse. I added some styrene sticks as braces inside just below the roof line and one at the top of the building running the length of the building to support the roof.

I then primed the building with white spray paint. After the paint had dried I painted the building with Rusteolem Camouflage Green paint. The windows and doors were painted with white spray paint. After all the parts were dry, I added the windows and doors to the building. Then I glued in the glass using the clear styrene in the kit and Micro scale Crystal Klear to adhere it to the windows. One of the large windows on the side of the house is partially open so I had to cut the styrene to accommodate it. The roof was made from four pieces of main roofs from the kit with two of them cut to fit. A chimney from the kit was added on top. The roof was sprayed with Valsper grey primer. The chimney was brush painted with Delta Creamcoat burnt sienna craft paint.



Once dry, the roof was weathered with Pan Pastel pastels - black, dark umber, and a light grey using their small applicators, followed with a large applicator to smooth out the colors. The large applicator

was also used to lightly brush some light grey on the walls. I then made a base of blue Styrofoam and painted it with brown craft paint. While the paint was wet, I covered it with Woodland Scenics earth blend and green blend. Some Woodland Scenics fine light grey ballast was sprinkled on for the sidewalks and some Scenic Express ground foam was sprinkled around for some heavier grass. I then lightly sprayed the base with 70% rubbing alcohol and used a small bottle to wet the scenery down with thinned white glue. The house was then pushed down into the base. Two scenic express super trees and a large tree from an Accurail tree kit were planted along with a vine running up the side of the house by the side addition.

WG&FR Access Gate

by Dave Roeder

Like many model railroaders, I have been around long enough to see quite a few layouts.



There are also many different bench work designs and track arrangements. The current trend

seems to be the walk in - around the walls design. This is best from the access standpoint since it allows unlimited entrance/exit. But there are also those who for various reasons do not want to lose the space required to turn trains around at each end of the entrance to a walk in design. Most walk-in layouts have a return loop at each side of the entrance. The use of a duck-under is not a good solution. They limit access and are a hazard to tall folks. A properly designed gate allows easy access without any drawbacks. The key to building a successful gate is in the design and construction.

A good design takes into account not only access, but expansion/contraction,

safety, and ease of maintenance. The gate on my HO scale Webster Groves and Fenton Railroad has all of these features. The design takes into account changes due to temperature and humidity.

The features are as follows;

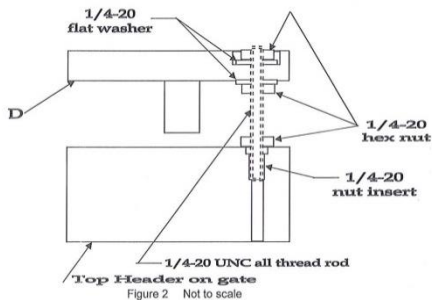
- A** Hinges are standard interior 4 inch length with 4 wood screws in each plate.
- B** Door latch is standard interior model with European style handicapped handles.
- C** Spring tension device is a bolt or roller type as used to remove play from screen doors or as used on sliding doors. This device pushes the door latch mechanism back against the flat side of the latch striker plate. These can be found at most hardware stores in the door hardware parts aisle.
- D** This section of track is made from $\frac{3}{4}$ " plywood. For HO scale, the track roadbed is a piece of wood cut to $3\frac{3}{4}$ " X 28" which is strengthened by a piece of $\frac{3}{4}$ " X $\frac{7}{8}$ " X 27" long piece of white pine set on edge. See Fig. 1.

Fig. 1



The tee section is supported on four pieces of $\frac{1}{4}$ -20 UNC threaded rod. These are set into the top rail of the gate using $\frac{1}{4}$ -20 nut inserts of the type used for leveling legs on furniture. Flat washers and hex nuts are used to attach the roadbed section to the top rail. These four assemblies provide vertical adjustment for the tee section of roadbed. See Fig. 2

- E** The adjustable track section provides adjustment of the gap between the latch end of the gate



and the fixed track on the layout. This track section is made from an Atlas re-railer / grade crossing which has been modified to allow $\frac{1}{4}$ " lateral adjustment of the gap at the latch end of the gate.

The Atlas re-railer is permanently attached to the layout on the fixed section of the layout using small wood screws. The section of the re-railer attached to the gate is also attached with four wood screws, but the holes in the re-railer for these four screws are slotted to allow + or - [.125"] $\frac{1}{8}$ " lateral adjustment.

On the gate end of the re-railer, then a 6" section of Atlas code 100 or code 83 flextrack is added. The ends of the rails are notched vertically $\frac{1}{2}$ " using a flat file. There

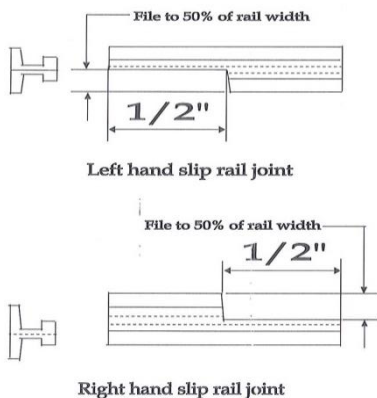


Figure 3

must be one left hand and one right hand slip rail end on each rialto form the expansion joint. One end of the track has slip rail joints on the re-railer section. These mate with corresponding slip rail joints on the fixed track attached to the gate roadbed. See figure 3.

F The track on the gate must be wired as a separate block. Wires dropped down from the fixed and the adjustable track sections will insure good performance and reliability. These wires must be routed through the hinge post with enough slack to permit the gate to be fully opened. Make sure the holes through the roadbed for the adjustable track section are elongated $\frac{1}{2}$ " to allow adjustment.

G Mechanical interlocks at each end of the fixed track work on the layout prevent accidental crashes off the end of the gate opening. These are made from tortoise switch machines mounted horizontally. Power to operate these is provided through a DPDT limit switch mounted so as to be triggered by the closing or opening of the gate. The stop rods

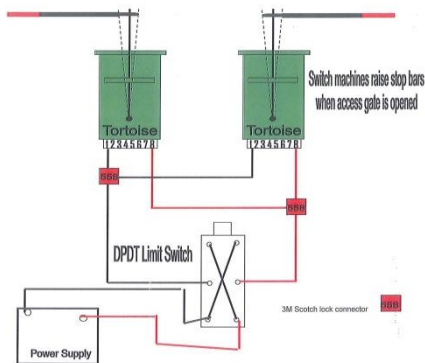


Figure 4.

are made from coat hanger wire .062" diameter. One end is hammered flat for a distance of 1/4", then a .031" dia. Hole is drilled in the flat to clear the tortoise activating wire. I use .020" diameter music wire in the tortoise switch machines. A hole is also drilled through the roadbed in the center of two ties to clear the rod. Wire the switch machines to raise the rods when gate is open. See figure 4.

H General Construction: The gate is made from 2 x 4 lumber for the frame. The hinge post and latch post are 4 x 4 lumber. It is important to securely attach both posts to the floor. Concrete anchors or equivalent are required. Another solution is to place a 2 x 6 flat on the floor and attach it with liquid nails.

The gate does not need to go all the way down to the floor. The bottom sill plate on the gate can be centered between the two hinges. This gives plenty of strength and still allows you to crawl under in the event that you need to get out with the gate closed. See figure 5 for general location of components and key to the instructions.

One final note: This gate has been in use since 1995. I have adjusted the

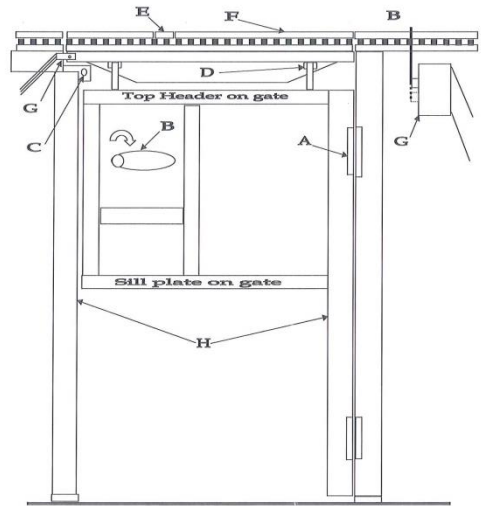


Figure 5

gap at the latch end about once a year. The leveling studs need attention about once a year as well. I added a de-humidifier to my basement after talking to a friend of mine and found it to be a good investment. The drier air eliminates seasonal humidity changes on the layout.

Holiday Party & Open House

Right and opposite top: Division Superintendent Tim Stout at the open house of Curt Regensburger's Streator Connection.

Photo by Curt Regensburger.





Below: Gateway Division Holiday Party held on November 17, 2014.

Photo by Richard Schumacher





Young visitors enjoy operating on Brian Post's

Sierra Nevada & Indian River Railway at his open house held on December 27, 2014.

Photo by John Carty

Division Minutes

by Jimmy Ables

Meeting Minutes for September 15, 2014

Timothy Stout, Superintendent

Phil Bonzon, MMR, Assistant
Superintendent

Richard Velten, Paymaster

Jimmy Ables, Clerk

Hank Kraichely, MCoR Director

Ron Gawedzinski, Activity Coordinator

Don Ayres, Publicity Chairman

Clinic: Brian Post presented a clinic on using smart phones to control railroad layouts equipped with DCC.

Business Meeting:

Superintendent Tim Stout called the meeting to order. There were 23 members and one guest present. Tim welcomed our guest Frank Mercadante.

Minutes of Previous Month's Meeting

Minutes from the August 2014 meeting were available for review prior to the meeting start. The minutes were approved as submitted.

Treasurers Report

Rich Velten presented the paymasters report for 2014. The opening balance was \$16,932.78. During the month we had total receipts of \$84.62 and expenses of \$772.77.

Our closing balance was \$16,244.95.

Merchandise Report

Rich Velten reported we have a good supply of wheel sets on hand. Also on hand are 11 NMRA N-gauge standards, and 2 NMRA OO-On3 gauge standards.

RPO Report

The deadline for submission for the winter RPO is 1 Jan. John is still looking for articles.

Directors Report

Hank Karichely had nothing significant to report.

Achievement Program (AP) Report

Phil Bonzon had nothing new to report.

Publicity Chair Report

Don Ayres discussed the upcoming events at the Museum of Transportation, Go by Train Show (27 Sep). Don requested volunteers to work the divisions table.

Outside Activities Report

Ron Gawedzinski, discussed upcoming Museum of Transportation's Go by Train Show on Sep 27th and the October 18th, Joint NRHS/Gateway Division picnic also at the Museum of Transportation. The Joint Group Picnic is free to attend and food and drinks are also free. Ron requested those wanting to attend sign up and he also asked for volunteers to help with cooking and other required

activities and solicited donations of used/old model railroad items for door prizes.

Old Business

- Tim discussed plans for the November Fall meet at Oliver C Joseph in Belleville. Hank asked for volunteers to help with setup and tear down, man the welcome booth and youth activity center.
- Tim discussed website updates. Dale and Richard have done a great job and photos of many new layouts have been added. Dale is taking some time off from taking pictures so updates will be slower for the time being.
- Elections Don Ayres is heading up the election committee. As determined at the August meeting all current officers except Phil Bonzon agreed to stand for reelection. Don solicited for nominees for Assistant Superintendent. Ron Kraus was nominated. Nominations will remain open for all positions until the 20 October meeting. Anyone wishing to nominate or self-nominate for any officer position should contact Don Ayres. After the 20 October meeting ballots will be completed and mailed around the 1st of November with the deadline for return on 1 December.
- Cash register disposition. Rich will list it for sell soon.

New Business

- Book Marks. Don Ayres brought up the idea of handing out book marks with Gateway Division information at various events we attend. After discussion a motion was made and approved to obtain cost estimates and have the officer approve purchase if cost were reasonable. No dollar limit was established
- Tim asked for a volunteer to bring refreshments to the meetings on the St Louis side.

Announcements

- None

Drawings

50/50 winner: Richard Wegner

Gift Card winner: Frank Mercadante

October 20, 2014

Timothy Stout, Superintendent

Phil Bonzon, MMR, Assistant Superintendent

Richard Velten, Paymaster

Jimmy Ables, Clerk

Hank Kraichely, MCoR Director

Ron Gawedzinski, Activity Coordinator

Don Ayres, Publicity Chairman

Clinic: This month members brought their favorite model and dioramas to show off and talk about. Lot's nice models and dioramas

Business Meeting: Superintendent Tim Stout called the meeting to order. Tim welcomed our guest Dave Schmit and Chuck Portartz.

Minutes of Previous Month's Meeting

Minutes from the September 2014 meeting were available for review prior to the meeting start. The minutes were approved as submitted.

Treasurers Report

Rich Velten presented the paymasters report for 2014. The opening balance was \$16,244.63. During the month we had total receipts of \$57.54 and expenses of \$109.50. Our closing balance was \$16,192.67.

Merchandise Report

Rich Velten reported we have a good supply of wheel sets on hand. Also on hand are 11 NMRA N-gauge standards, and 2 NMRA OO-On3 gauge standards.

RPO Report

The fall RPO was published on 18 Oct. The deadline for submission for the winter RPO is 1 Jan. John is still looking for articles.

Directors Report

Hank Karichely had nothing significant to report.

Achievement Program (AP) Report

Phil Bonzon had nothing new to report.

Publicity Chair Report

Don Ayres discussed the upcoming events the fall meet and the Great Train Expo. Don requested volunteers to work the Great Train Expo.

Outside Activities Report

Ron Gawedzinski, discussed the Museum of Transportation's Go by Train Show in Sep 27th and the October 18th, Joint NRHS/Gateway Division picnic also at the Museum of Transportation. 80 attendees. Ron thanked the volunteers who helped with the picnic

Old Business

- Hank discussed plans for the November Fall meet at Oliver C Joseph in Belleville. Hank asked for volunteers to help with setup and tear down, man the welcome booth and youth activity center.
- Tim discussed website updates. Dale and Richard have done a great job and photos of many new layouts have been added. Dale is taking some time off from taking pictures so updates will be slower for the time being.
- Elections Don Ayres is heading up the election committee. As determined at the August meeting all current officers except Phil Bonzon agreed to stand for reelection. Don solicited for nominees for Assistant Superintendent. Ron Kraus was nominated. Nominations will remain open for all positions until the 20 October meeting. Anyone wishing to nominate or self-nominate for any officer position should contact Don Ayres. After the 20 October meeting ballots will be completed and mailed around the 1st of November with the deadline for return on 1 December.
- Cash register disposition. Rich will list it for sale soon.
- Book Marks. Don Ayres brought up the idea of handing out book marks with Gateway Division information at various events we attend. After discussion a motion was made and approved to obtain cost estimates and have the officer approve purchase if cost were reasonable. No dollar limit was established.

- Tim asked for a volunteer to bring refreshments to the meetings on the St Louis side.

New Business

- Jon Golden and Lonnie Bathurst, organizers of the Railroad Prototype Modelers Meet, presented the Gateway Division with \$100 donation in thanks for our support of their event.

Announcements

- Ron Kraus announced that Carl Winkler, a Belleville model railroader passed away.

Drawings

50/50 winner: Don Ayres

Gift Card winner: Jon Marx

Timetable of Events

Do you know of an event of interest to other Gateway Division members? Send the information to the editor so it can be listed in future *RPOs* and on the www.gatewaynmra.org website.

NMRA Divisions or St. Louis area clubs may have their event listed here by sending a description of the event, in the format shown here, to the Editor (rpo@gatewaynmra.org).

Sat., January 17, 2015

St. Charles Model Rail Road Club Trainfair 2015, 10 a.m. – 3 p.m., Heart of St. Charles Banquet Center, I-70 & 5th St., St. Charles, MO. Admission: \$3, under 12 free.

Mon., January 19, 2015

Gateway Division Meeting, Trinity Lutheran Church, Town & Country, MO, 7 p.m.

Sat., February 14, 2015

Fox High School Train Show, 10 a.m. – 3 p.m., Fox High School, 751 Jeffco Blvd., Arnold, MO. Admission: \$3, under 12 free.

Mon., February 16, 2015

Gateway Division Meeting, VFW Hall, O'Fallon, IL, 7 p.m. Clinic by John Carty on the history of the Great East Side Electric Railway System.

Sat., March 14, 2015

Boeing Employees' Railroad Club Swap Meet, train swap meet, 10 a.m. – 3 p.m., Greensfelder Recreation Center, Queeny Park, St. Louis County, MO.

Sat., March 14, 2015

Route 66 Pacific Railfan Center Train Show, 10 a.m. – 3 p.m., Pacific Eagles Hall, 707 Congress, Pacific, MO. Admission: \$5, under 12 free.

Mon., March 16, 2015

Gateway Division Meeting, Trinity Lutheran Church, Town & Country, MO, 7 p.m.

Sat., March 28, 2015

Dreamland Palace Train Show, 10 a.m. – 3 p.m., 3043 St. Route 156, Foster Pond, IL. Admission: \$3, under 12 free.

Sat., April 11, 2015

Model Train Show & Swap Meet, benefitting Trinity United Church of Christ, 10 a.m. – 3 p.m., Franklin Elementary School, Belleville, IL. Admission: \$3 (\$2 with canned goods), 12 and under free

Mon., April 20, 2015

Gateway Division Meeting, VFW Hall, O'Fallon, IL, 7 p.m.

Mon., May 18, 2015

Gateway Division Meeting, Trinity Lutheran Church, Town & Country, MO, 7 p.m.

Fri., Sat., Sun., June 5-7, 2015

MCOR NMRA Convention, Capital Plaza Hotel, 415 W. McCarty St., Jefferson City, MO. Details at <http://showmecentral.com/>

Mon., June 15, 2015

Gateway Division Meeting, VFW Hall, O'Fallon, IL, 7 p.m.

Mon., July 20, 2015

Gateway Division Meeting, Trinity Lutheran Church, Town & Country, MO, 7 p.m.

Mon., August 17, 2015

Gateway Division Meeting, VFW Hall, O'Fallon, IL, 7 p.m.

Mon., September 21, 2015

Gateway Division Meeting, Trinity Lutheran Church, Town & Country, MO, 7 p.m.

Sat., September 26, 2015

Go By Train! Railroad themed event, 9 a.m. – 3 p.m., National Museum of Transportation, 3015 Barrett Station Rd., Kirkwood, MO.

In Memorium

Longtime modeler Carl Winkler of Belleville, Illinois took the westbound in November. Although he was not a member of the NMRA, he graciously opened his home to the Gateway Division for open houses and layout tours. We appreciate his friendship and promotion of the hobby. We extend our condolences to his family. Carl will be greatly missed.

NMRA MCoR Region & Gateway Division

The National Model Railroad Association (NMRA) is a world-wide organization dedicated to all aspects of model railroading. In order to bring the most benefit to its members, the association is subdivided into Regions, and each Region has a number of local Divisions. National dues are \$66 per year, and all members of the NMRA are automatically members of the Region and Division in which they live. The Gateway Division is part of the Mid-Continent Region, which represents Missouri, Kansas, Arkansas, Oklahoma, Nebraska, and parts of Iowa and Illinois.

The Mid-Continent Region publishes a quarterly bulletin, *The Caboose Kibitzer*, and holds an annual convention meeting that usually includes modeling clinics, local tours of layouts or prototype facilities, and model contests. Annual subscription to the Mid-Continent Region *Caboose Kibitzer* is included with membership at the National level and runs concurrently.

The Gateway Division is well represented on the regional and national levels of the NMRA. Its members actively promote the modeling hobby through local monthly meetings, this quarterly newsletter, an annual train meet in the fall, participation in area train shows and other events, and a comprehensive website. Annual subscription to the Gateway Division *RPO* is \$10, running from July 1 through June 30. Members who subscribe mid-year are given extended memberships. In addition to the quarterly newsletter, a member directory is published listing names, addresses, and information about individual modeling interests. New members also receive a Division membership pin.

Membership is open to anyone from the beginner to the most advanced modeler, of all ages, so that everyone can share questions and knowledge of the hobby. Visitors are welcome at the monthly Division meetings listed on our website, www.gatewaynmra.org

To join, visit our website and complete the form at <http://gatewaynmra.org/membership.htm>

Division Officers

Superintendent

Timothy (Tim) A. Stout

Assistant Superintendent

Ron Krauss

Clerk (Secretary)

Jimmy D. Ables

Paymaster (Treasurer)

Richard (Rich) M. Velten (Marilyn)

Division Director

Henry (Hank) W. Kraichely

